

软塑料打包机

PP/PE Film/Soft Plastic Balers

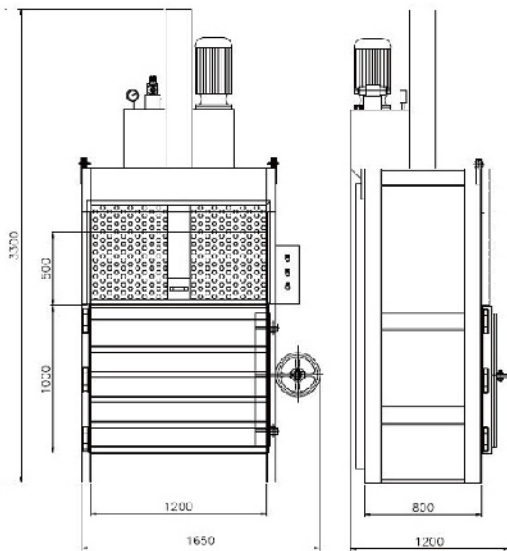
适用范围

专门用于废旧农膜如 PE/PP 膜等或其他软塑料的回收压缩打包。

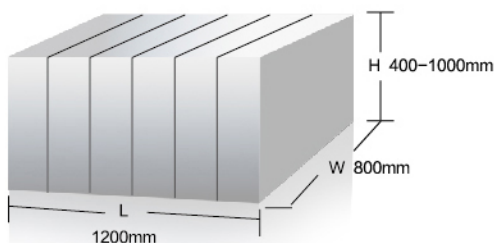
Usage

Widely used for compressing soft plastics like PE/PP Films .

Diagram (Model XTY-500LE12080)



Bale Size (Model XTY-500LE12080)



参数 Specifications

型号	XTY-500LE12080
压力 Pressure	50tons
加料口尺寸 (L*H) Feed Opening Size (L*H)	1200*500mm
压缩腔高度 Baling Chamber Height	1500mm
包块尺寸 (L*W*H, H可调) Bale Size (L*W*H, H is adjustable)	1200*800*(400-1000)mm
包块重量 Bale Weight	150-350kgs
功率 Power	11kw
机器重量 Machine Weight	2300kgs
机器外观尺寸 Machine Overall Dimension	1650*1200*3300mm

机器特点

- 自动挂链出包，提高了工作效率
- 安全门垂直升降，操作方便，安全门不关闭，机器不启动，非常安全
- 采用开门停机设计，使机器更安全可靠
- 装配急停按钮，单独安装，位置醒目，使操作更安全
- 采用欧美标准的防弹门结构，能保护操作者的安全
- 装配自动平衡装置，避免因放置物料不当产生意外
- 采用日本进口NOK密封圈，使用寿命更长
- 采用日本A.M.C油管接头，确保不漏油
- 独特的电机和泵的直叉连接，保证泵和电机100%同心，替代了一般的联轴器联结方式，提高了泵的使用寿命



Features

- Automatic chain bale ejector for quickly and easily ejecting the bales out from the machine
- Wide feed opening door lifts upwards automatically when the platen goes up
- The ram will stop running downwards when the feeding gate is opened which ensure the safety of the operation
- Equipped with independent emergency stop for safe operation
- Equipped with Euro and U.S standard anti-rebound gate structure which makes sure the safety of operation
- Special ram guides design makes the platen not slope because of uneven materials feedings during compression
- Equipped with NOK seals that from Japan means longer lifespan of the seals
- Equipped with A.M.C. oil pipe joints that from Japan ensures the machine far away from oil leakage problems
- Peculiar combination of motor and pump with direct-crossed connection makes sure 100 percent concentricity, which replacing the common coupling connection so that extend the lifespan of the pump